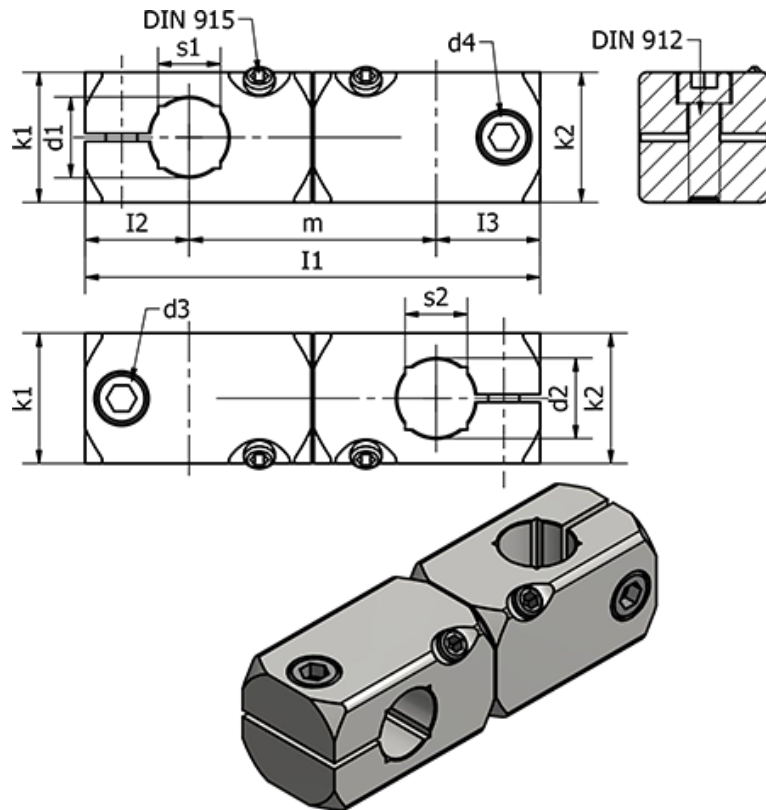


Article number: 20475B16B16MT

Description: E+G Two-way clamp mounting - GN 475-B16-B16-MT

Measures



Clamping kit for d3 = GN 511-M6-25

Clamping kit for d4 = GN 511-M6-25

d1 = 16

d2 = 16

d3 = M6

d4 = M6

I1 = 90.5

I2 = 20

I3 = 20

k = 25

k2 = 25

m = 50.5

s1 = -

s2 = -

Weight (g) = 139